

***Overview***

This traditional bird house is easy to build and makes a great addition to any back yard. This is an easy project to complete in an afternoon.

Before Getting Started

Please read and understand this plan package before beginning.

Dimensions are given in the following format:
Length x Width x Height (or Thickness)

Determine what species of wood you will use to complete this project. If you are unsure which species is best suited for this project our project wood at <http://woodworkingplans.ca>. It may be able to help.

Safety

These plans assume that you have a certain level of knowledge about wood working. Since there are many ways to perform one task you must choose the best approach for yourself based on your skill level and tools. If you aren't completely comfortable using a tool, find an alternative way to make the cut.

Remember to always follow the instructions that come with your tools for safe operating procedures.

Warranty

These plans are provided “as is” and all sales are final due to the digital nature of the plans.

However we always value your thought and opinions regarding our plans. If you spot any errors with these plans or if you get stuck and need assistance contact us at dave@woodworkingplans.ca and let us know.

Tools, Wood and Hardware

All tools, hardware and wood for these projects can be found at www.woodworkingplans.ca

Traditional Bird House

Constructing this bird house is simple and once the stock has been cut can easily be assembled by a child.

Step 1:

Cut all the pieces to overall dimensions as per the cutting list on page F2. I used both my circular saw and table saw to prepare the stock.

Cut the roof peak on the front and back first and use the scrap angled piece of wood from those cuts to set the angle of the blade on your table saw. Then cut the bevel on the two side pieces.

Note: The sides are left ¼" short to allow for ventilation.

The base consists of two pieces glued up (this avoids having to buy 8" wide stock) and then cut to form a 7" square. The top edge of the base can be profiled any way you choose. The bird house is centered on the base so you will need to draw a square 5" x 5" centered on the base. This shows the outer walls of the birdhouse.

Step 2:

Drill a 3/16" diameter hole, 1/4" deep to receive the dowel for the perch. Then use the template to layout the entry hole. Drill a pilot hole in the center of the entry hole ½" diameter and complete the cut with a jig saw.

Note: Use a brad point drill bit for all the holes and place a scrap of wood underneath the good stock. This will help prevent tear out on the back and provide a better finished product.

Step 3:

Before assembling any pieces thoroughly sand both the inside and outside faces with 100 grit paper then progress to 120 grit paper. Avoid sanding any edges or corners at this point. That will be done later.

Assemble the walls. Dry fit the components and clamp into position, be sure the four sides are even (flush) at the bottom. Then pre-drill holes for screws using a 1/8" countersink drill bit. One screw at the top and bottom of each corner is enough.

Use a 1" deck screw to secure the joints, being very careful not to over tighten the screws as this will increase the chance of splitting the wood.

Step 4:

Place the birdhouse on the base to double check your layout marks. Make any adjustments needed.

To secure the base to the birdhouse offset your layout marks on the base inwards 5/16" to allow you to place a screw up through the base into the center of the walls. Drill down through the top of the base on your marks and then flip it over and use a countersink bit on the bottom of the base.

One screw at each corner is enough to hold everything together.

Step 5:

Draw two lines on the roof pieces from peak to eave 1-5/16" from the front and back edges. Draw another line up 1-3/8" up from the bottom edge and another 3/4" down from the peak. This indicates the center of the walls. Place one half of the roof onto the wall and align it with the peak. Make sure the overhang at the front and the back are even. Pre drill four holes using a 1/8" countersink drill bit and secure the roof with a 1" deck screw.

Repeat for the second roof piece.

Step 6:

Once the assembly is complete sand everything smooth using first 120 grit sand paper then progress to 150 grit paper.

Step 7:

There are a number of ways to finish your bird house. Painting is the simplest but the bird house can be finished any way you choose.

To hang the bird house use 2 lengths of rope or chain and attach them to the peak of the bird house on the front and back. Attach them using a threaded eyelet or a screw. Alternatively you can secure it to a post or a tree.

Hang the bird house in a convenient location and enjoy.

There are some alternative methods of securing the joints on the bird house.

- You can rely on glue to hold the joints and leave out the screws. Use good exterior wood glue if this is the method you choose and make sure you have enough clamps to hold the pieces while the glue dries.
- The joints can be secured using glue and biscuits.
- Instead of using deck screws you can use galvanized finish nails to secure the joints.

Materials

Cut List:

Front: 1 @ 12" x 5" x 5/8"

Back: 1 @ 14-1/2" x 5" x 5/8"

Sides: 2 @ 14-3/4" x 3-3/4" x 5/8"

Base: 1 @ 3-3/4" x 3-3/4" x 5/8"

Roof: 2 @ 7-3/4" x 7" x 5/8"

Perch: 1 dowel @ 3/16" Dia x 1-3/4" long

Materials:

1 @ 1" x 6" x 6'

Hardware:

20 - 1" Deck Screws

Tools:

Table saw

Circular saw

Jig saw

Measuring tool

Drill

1/2" Brad point bit

3/16" Brad point bit

1/8" Countersink bit

Pencil

Square

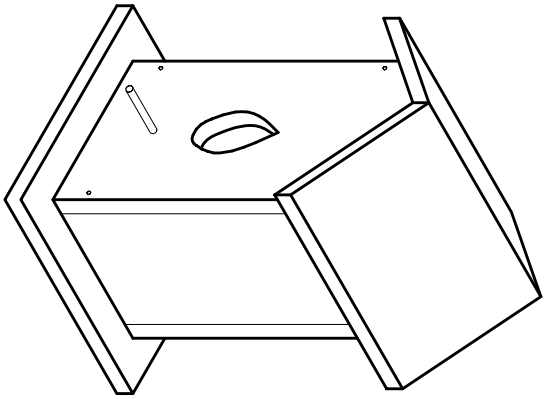
100, 120 and 150 grit sand paper

Disclaimer

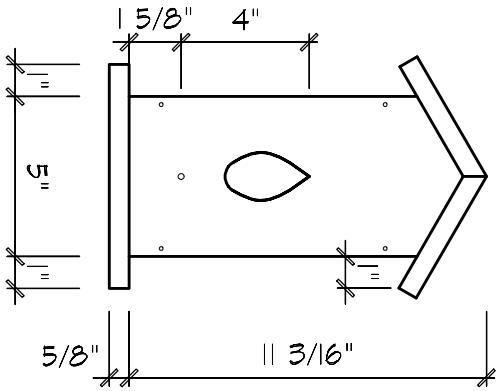
These plans make the assumption that you have a basic knowledge of wood working and wood working safety. We can make no guarantee that you have the wood working knowledge to complete this plan and thus assume no responsibility for un-satisfactory results.

Always read and understand the instructions that come with your tools. This will instruct you on the proper use of the tools.

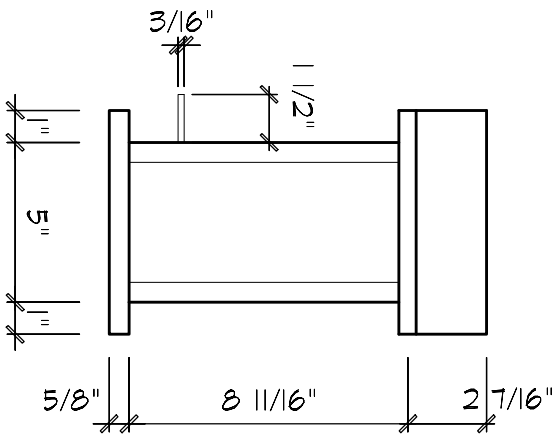
Accurate Woodworking assumes no responsibility for damages (tools, personal, computer or any other damage) resulting from the use of this set of plans.



ISOMETRIC



FRONT



SIDE

COPYRIGHT © 2008
WOODWORKINGPLANS.COM
ALL RIGHTS RESERVED

FP1

DRAWING NO.

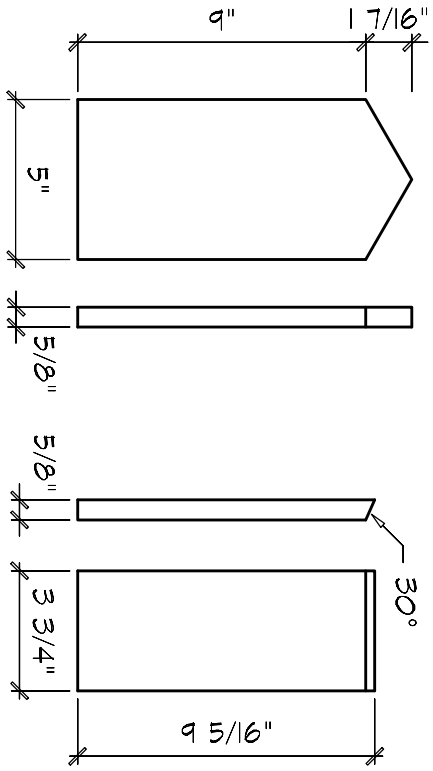
DATE 2008

DRAWN DBM

SCALE 2"=1'-0"

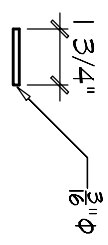
PLAN TITLE
TRADITIONAL
BIRD
HOUSE
PLANS

DRAWING TITLE

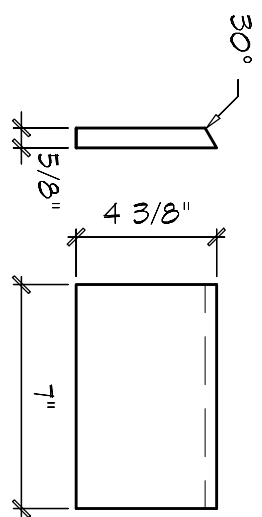


FRONT & BACK

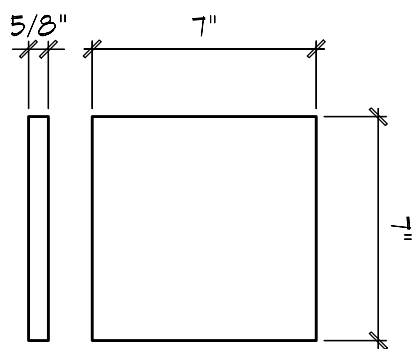
SIDES x 2



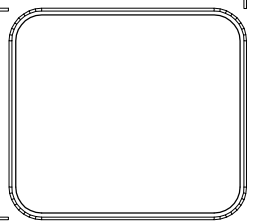
PERCH x 2



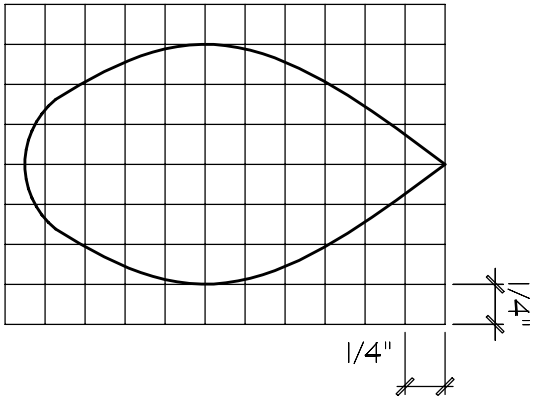
ROOF x 2



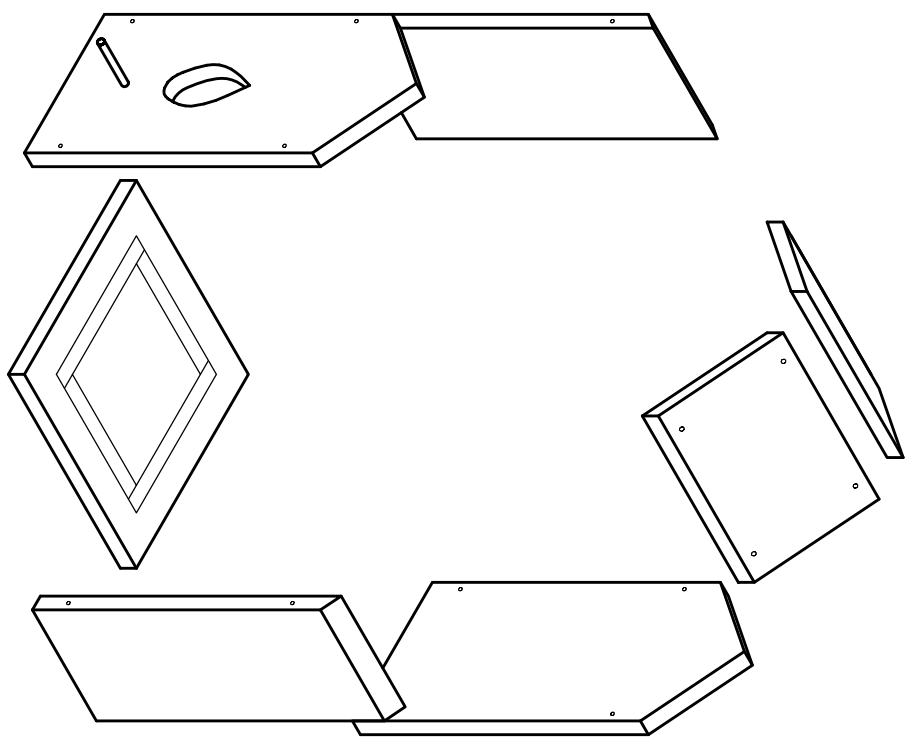
BASE



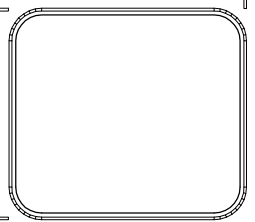
PLAN TITLE	TRADITIONAL BIRD HOUSE
DRAWING TITLE	CUT LIST
SCALE	2" = 1'-0"
DRAWN	DBM
DATE	2008
DRAWING NO.	F2
COPYRIGHT © 2008 Woodwright's Plans, Inc. ALL RIGHTS RESERVED	



ENTRY HOLE
TEMPLATE



ASSEMBLY
VIEW



PLAN TITLE
**TRADITIONAL
BIRD
HOUSE**

DRAWING TITLE
**ASSEMBLY
VIEW**

SCALE
2" = 1'-0"

DRAWN
DBM

DATE
2008

DRAWING NO.

F3

COPYRIGHT © 2008
WOODWORKINGARTISTS.CO
ALL RIGHTS RESERVED