

Simple Book Shelf***Overview***

This simple but functional book shelf is easy to build and makes a great confidence builder before moving on to a more complex project. The shelf in this photo is made from clear spruce but any species of wood will work. The simple dado joinery is easily made using a router with a straight cutting bit.

The overall dimensions of this book shelf are 66" x 36" x 8-1/2"

Before Getting Started

Please read and understand this plan package before beginning.

Dimensions are given in the following format:
Length x Width x Height (or Thickness)

Determine what species of wood you will use to complete this project. If you are unsure which species is best suited for this project our project wood at <http://woodworkingplans.ca> . It may be able to help.

Safety

These plans assume that you have a certain level of knowledge about wood working. Since there are many ways to perform one task you must choose the best approach for yourself based on you skill level and tools. If you aren't completely comfortable using a tool, find an alternative way to make the cut.

Remember to always follow the instructions that come with your tools for safe operating procedures.

Warranty

These plans are provided “as is” and all sales are final due to the digital nature of the plans.

However we always value your thought and opinions regarding our plans. If you spot any errors with these plans or if you get stuck and need assistance contact us at dave@woodworkingplans.ca and let us know.

Tools, Wood and Hardware

All tools, hardware and wood for these projects can be found at www.woodworkingplans.ca

Simple Book Shelf

This book shelf is simple to make and can be completed in a day with a second day to apply a finish. This shelf is made from 2" x 10" spruce that is planned to 1-1/4" thick and ripped to 8-1/2" wide.

Shelves – Part A & B:

The four shelves receive dados to accept the vertical members. These dados are 1/4" deep and 1-1/4" wide with the outside cheeks 7" from each end. These dados can be milled a number of ways, in this case a router with a straight cutting bit was used. However, a stacked dado blade can be used with a radial arm saw to make them as well.

It is recommended that you have the finished width of the vertical members established before milling the dados to ensure a tight fit.

Vertical Members – Part C:

There are 6 vertical members that determine the height of each shelf. With this plan the shelves are all evenly spaced but the height of each shelf can be adjusted to fit your specific needs. The dimensions of the vertical members are 9-7/8" x 8-1/2" x 1-1/4" and accounts for the dado at the top and bottom.

The corners can be rounded or chamfered after the book case is assembled.

Base – Part D & E:

The base wraps three sides of the book shelf with the back being left open. The base is 3" high and is mitered at the corners. It can be attached by drilling a 3/4" countersink and driving a 3" screw into the bottom of the first shelf.

On the two side pieces attach at each end and with the front attach at each end plus once in the center.

The miters can be reinforced with biscuits.

Materials

Cut List

Part A & B: 4 @ 66" x 8-1/2" x 1-1/4"

Part C: 6 @ 9-7/8" x 8-1/2" x 1-1/4"

Part D: 1 @ 52" x 3" x 1-1/4"

Part E: 2 @ 7" x 3" x 1-1/4"

Materials List

2 @ 12' x 10" x 2"

1 @ 8' x 10" x 2"

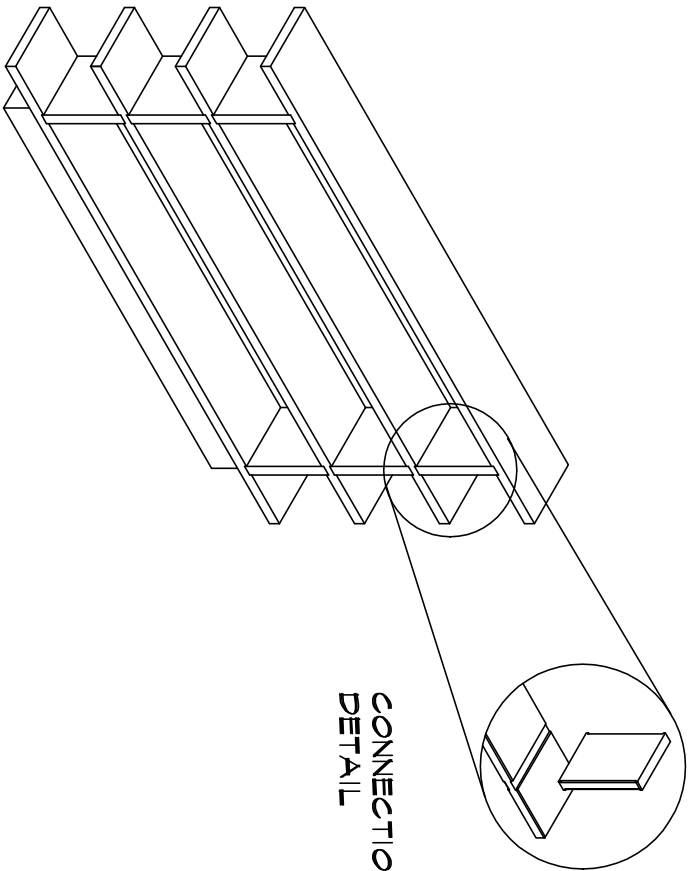
1 @ 8' x 4" x 2"

Disclaimer

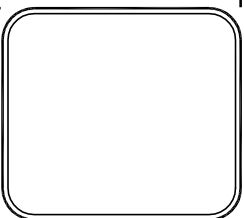
These plans make the assumption that you have a basic knowledge of wood working and wood working safety. We can make no guarantee that you have the wood working knowledge to complete this plan and thus assume no responsibility for un-satisfactory results.

Always read and understand the instructions that come with your tools. This will instruct you on the proper use of the tools.

Accurate Woodworking assumes no responsibility for damages (tools, personal, computer or any other damage) resulting from the use of this set of plans.



ISOMETRIC VIEW



PLAN TITLE
**SIMPLE
BOOK
SHELF**

DRAWING TITLE

ISOMETRIC

SCALE **1/2"=1'-0"**

DRAWN

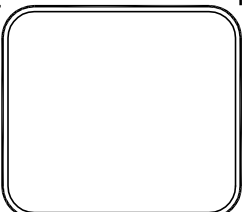
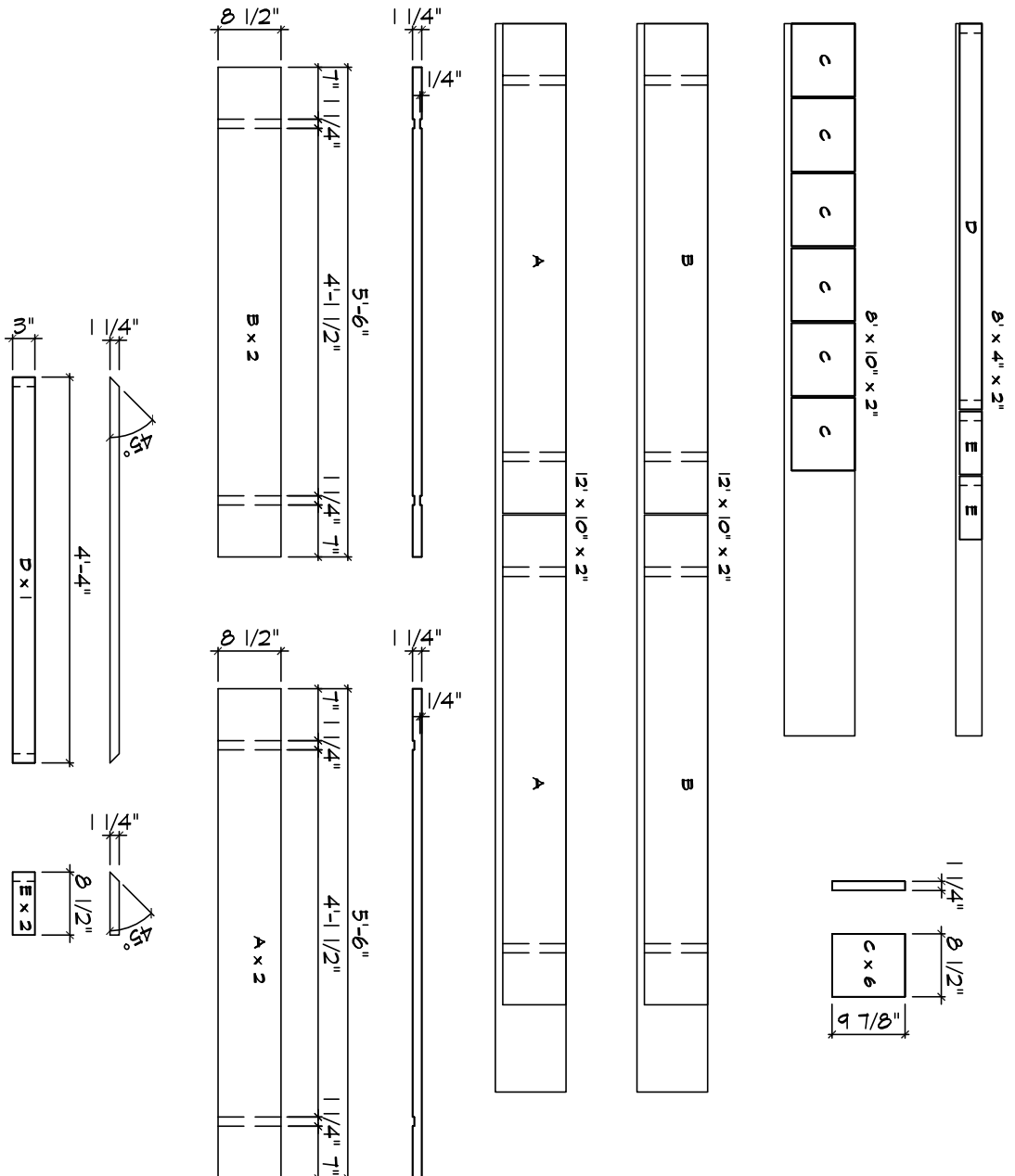
DBM

DATE

2008

DRAWING NO.

F1



PLAN TITLE
SIMPLE BOOK SHELF

DRAWING TITLE
MATERIALS/ CUTTING LIST

SCALE 1/2"=1'-0"
 DRAWN DBM
 DATE 2008

DRAWING NO.
F3